

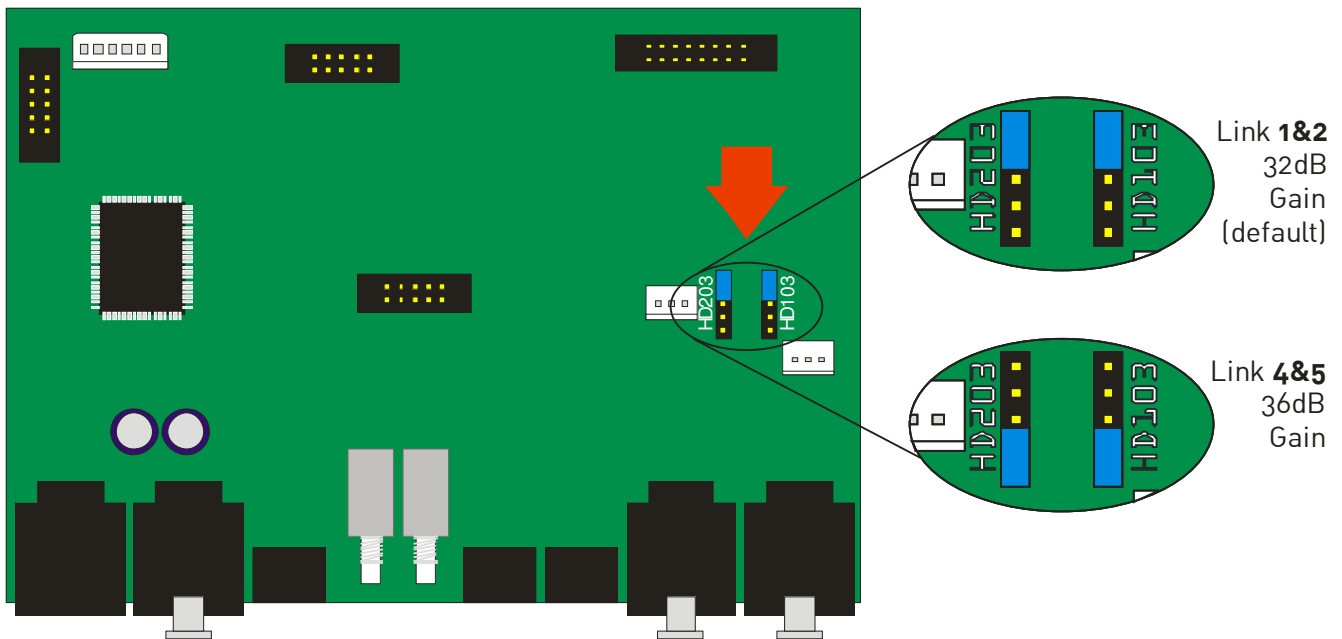
Adjusting the Amplifier's Absolute Gain

The voltage gain of the amplifier can be selected to be either +32dB (standard) or +36dB to match system sensitivity as required. This is achieved by setting links on the input board internally. This applies to all Ti- Series amplifiers excluding the Ti4250.

SAFETY WARNING

Removing the lid will expose you to potentially dangerous voltages!
Disconnect the amplifier from the mains supply and do not touch any heatsinks as they may still be at a high potential!

After removing the lid and with the rear panel facing you, locate the input circuit board as shown below – it is attached to the input and RS485 XLR connectors. Find the two sets of links as marked by the arrows, and move them as shown to set the gain as required.



HD103 sets the gain for channel A, and HD203 sets the gain for channel B. We recommend both channels are set to the same position!