

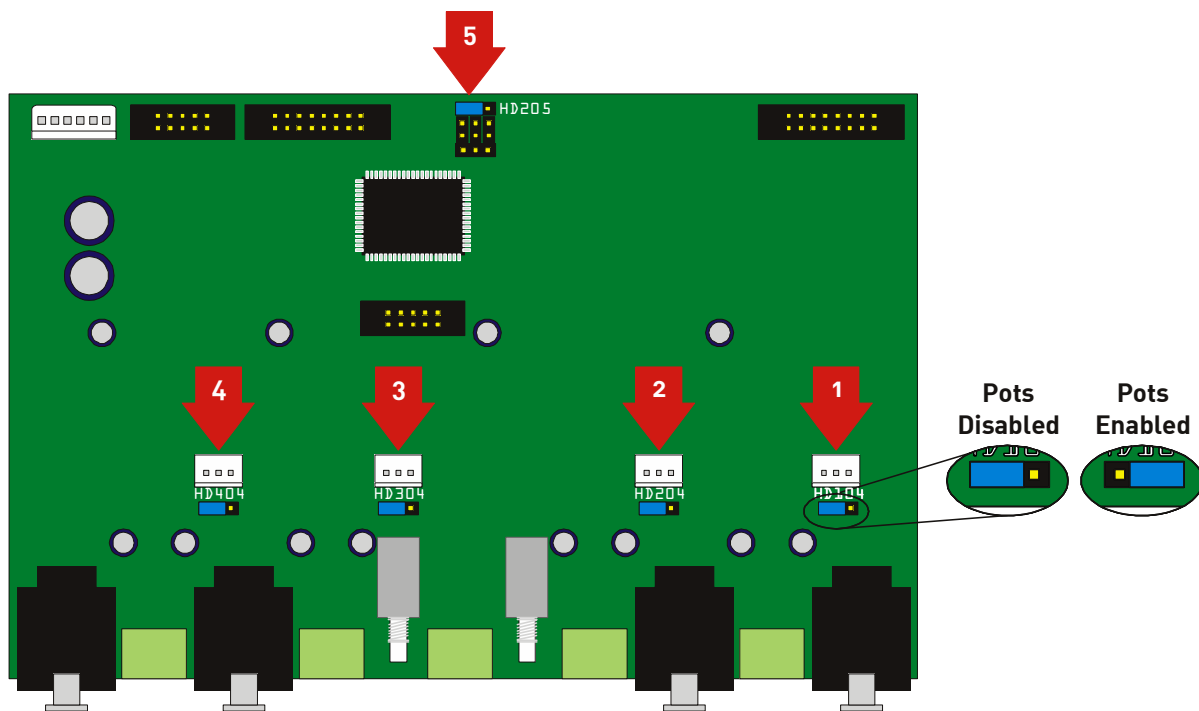
Disabling the Front Panel Gain Controls

For added security the front panel potentiometers can be disabled, preventing unwanted tampering with gain settings of any amplifier. This is achieved by setting links on the input board internally.

SAFETY WARNING

Removing the lid will expose you to potentially dangerous voltages!
Disconnect the amplifier from the mains supply and do not touch any heatsinks as they may still be at a high potential!

After removing the lid and with the rear panel facing you, locate the input circuit board as shown below – it is attached to the input and RS485 XLR connectors. Find the five sets of links as marked by the arrows, and move them as shown to either disable or enable the pots as required. Make sure all five are set to the same position!



HD104 disables the pot for channel A, HD204 disables the pot for channel B, and so on, with HD205 setting the pot enabled/disabled flag, the state of which can be monitored remotely through iCore.

Once disabled, the pot gain is set to 0dB – this is wired in series with the digital potentiometer, which may still be used to adjust the gains remotely. Remember that if disabling the pots has not set the gain to the value you expect, the level may have been turned down remotely – check through iCore and adjust if necessary.